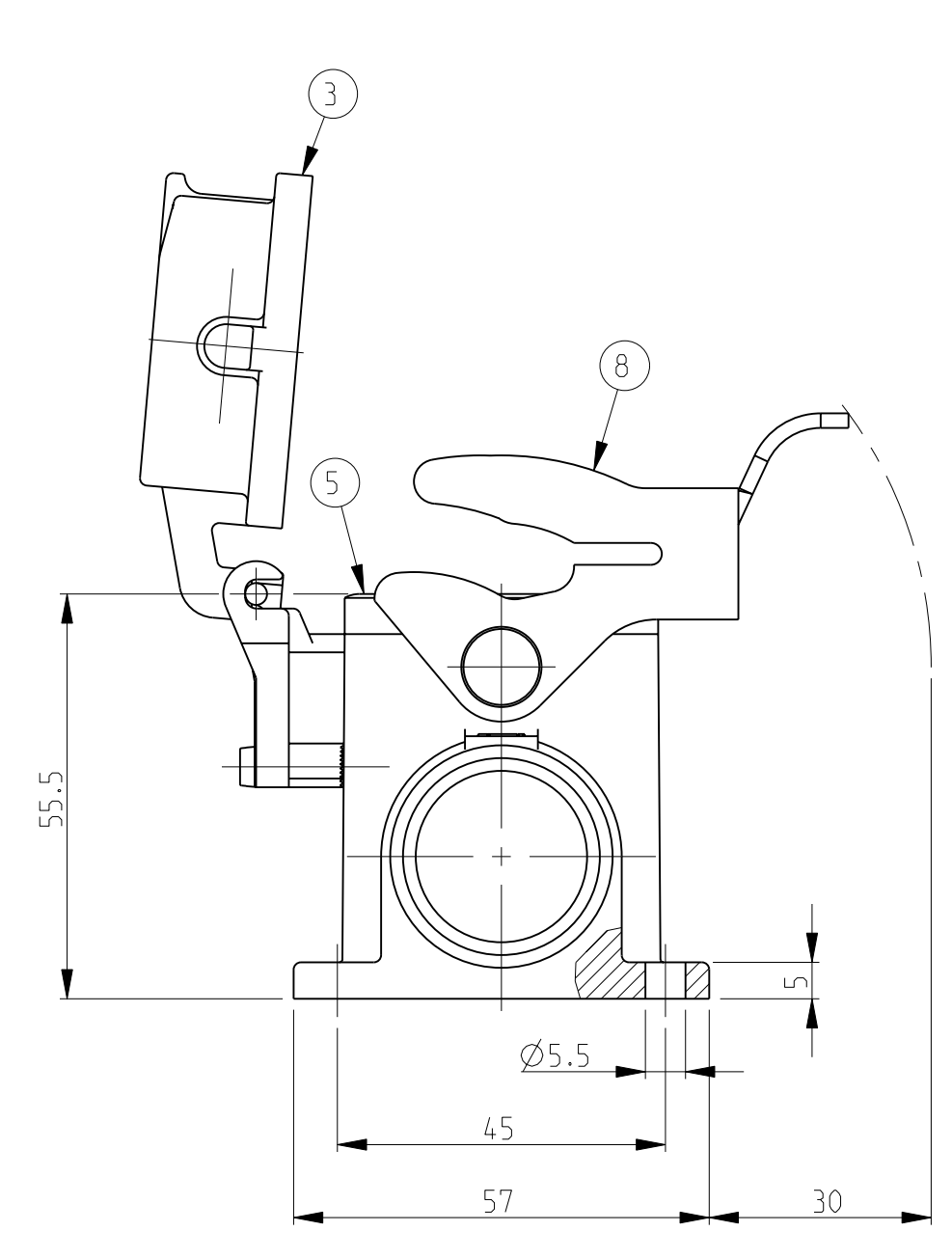
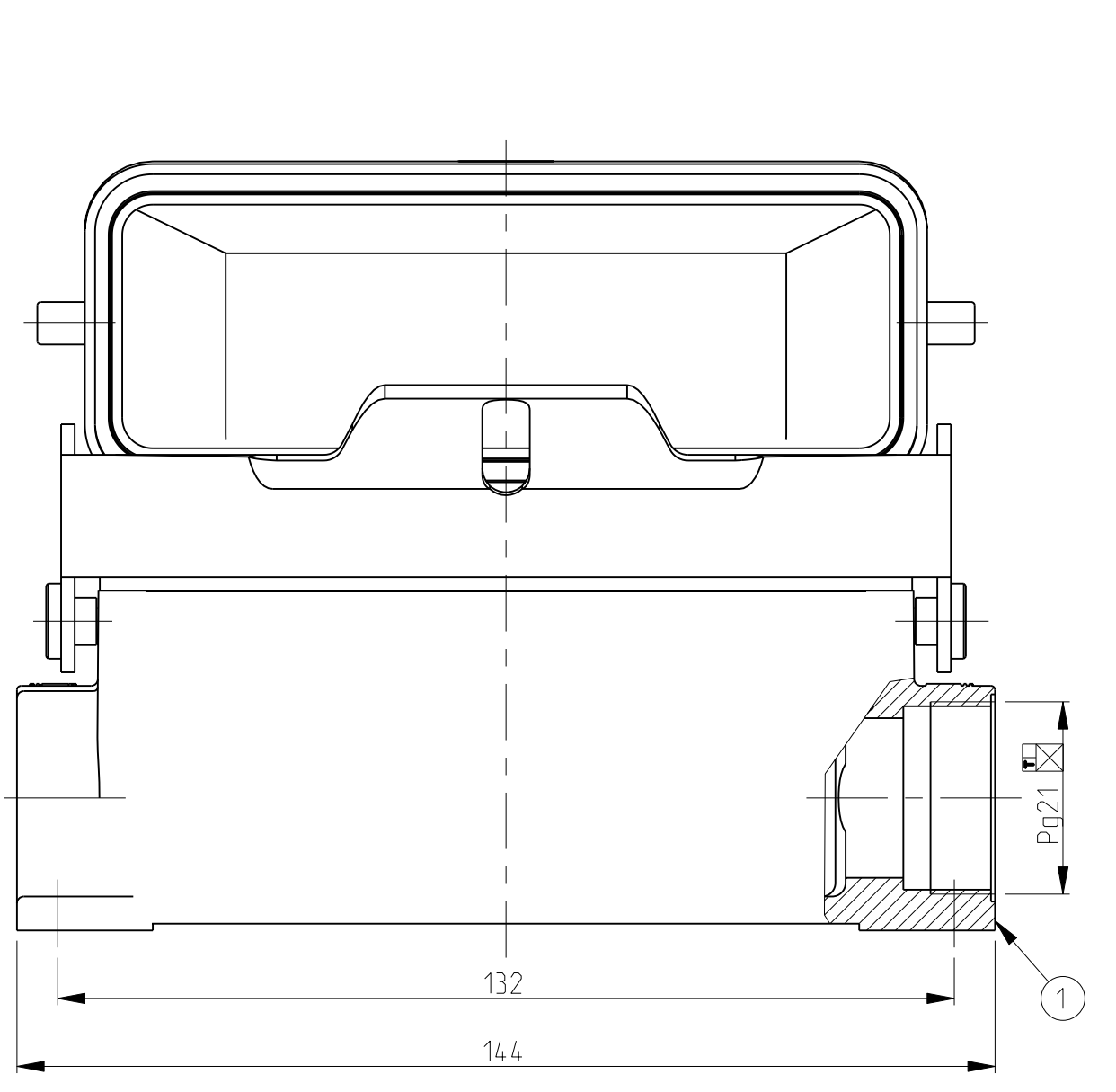
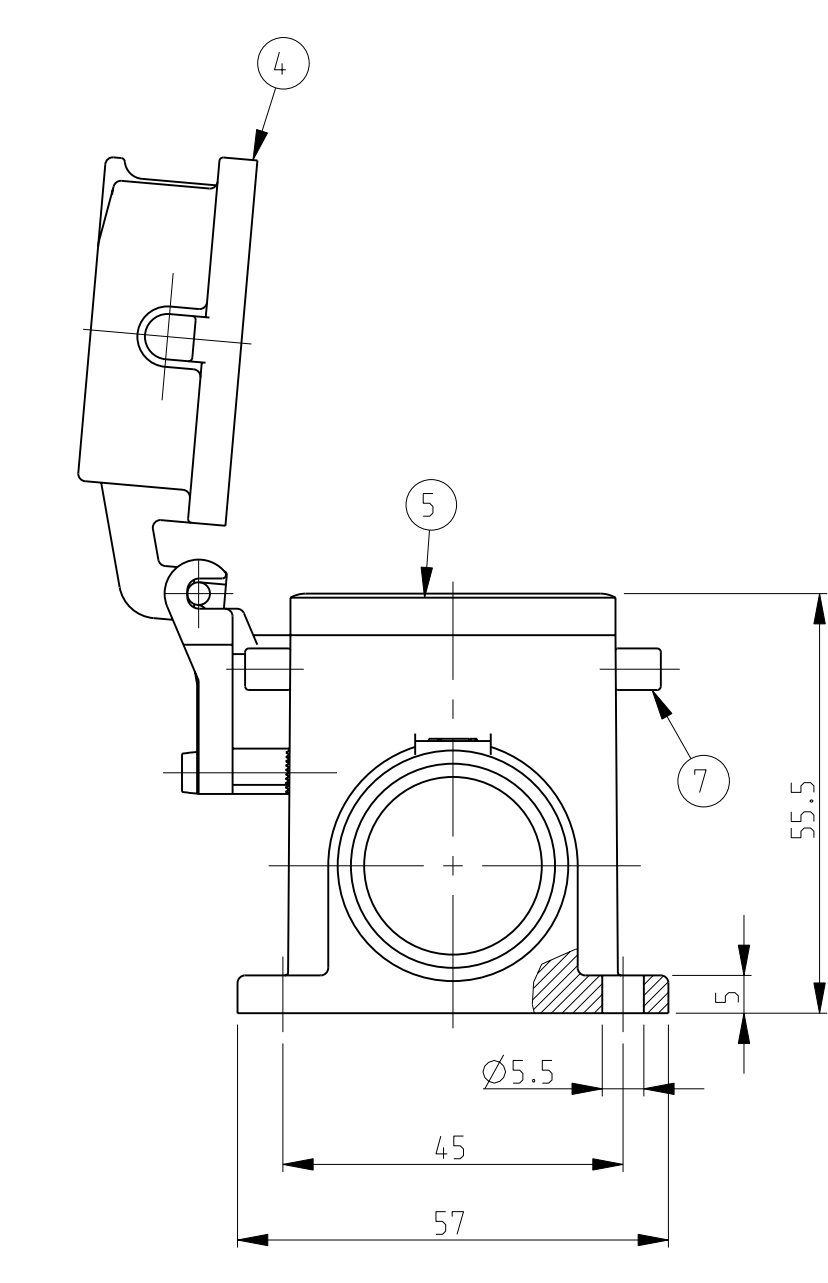
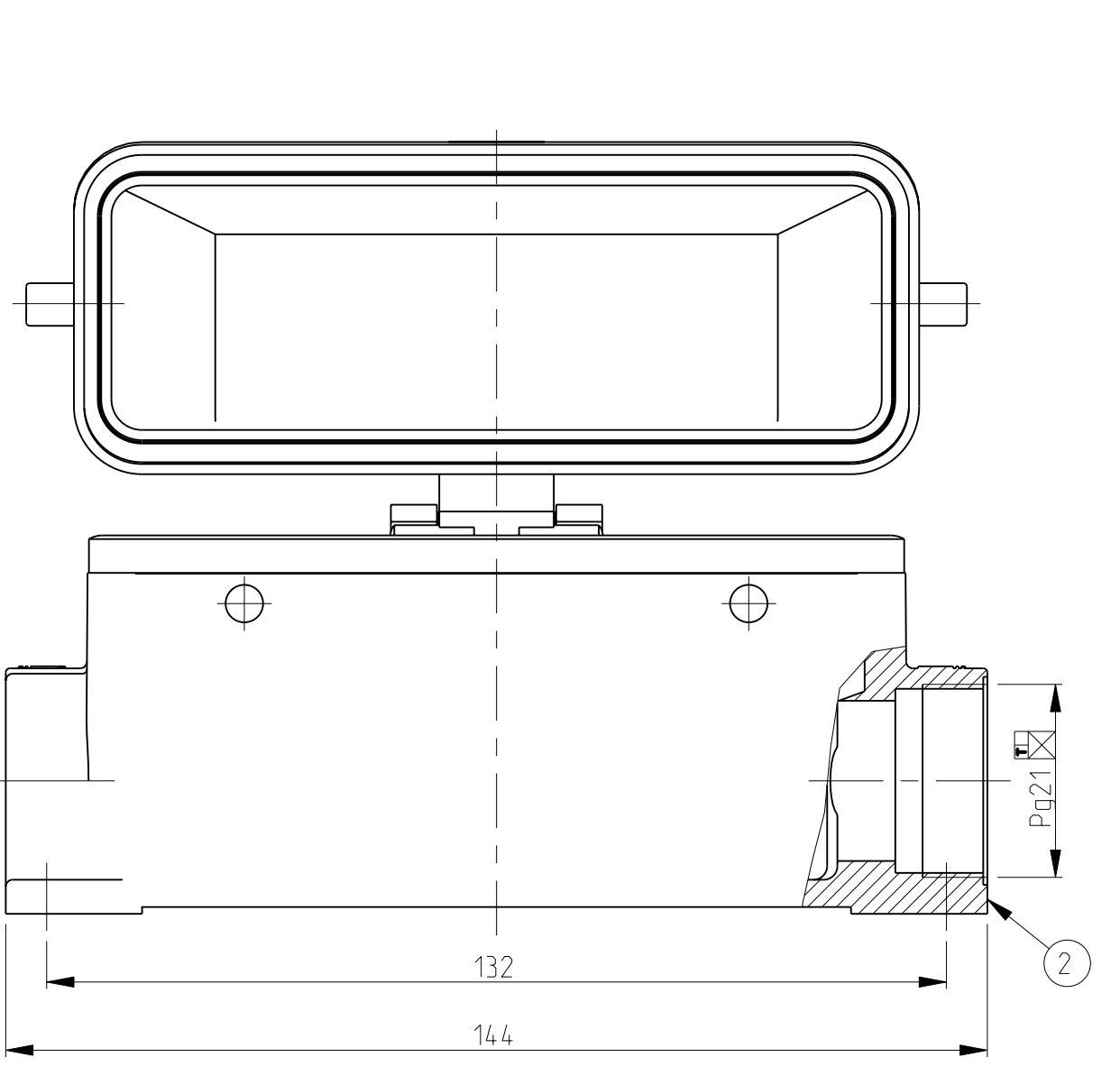
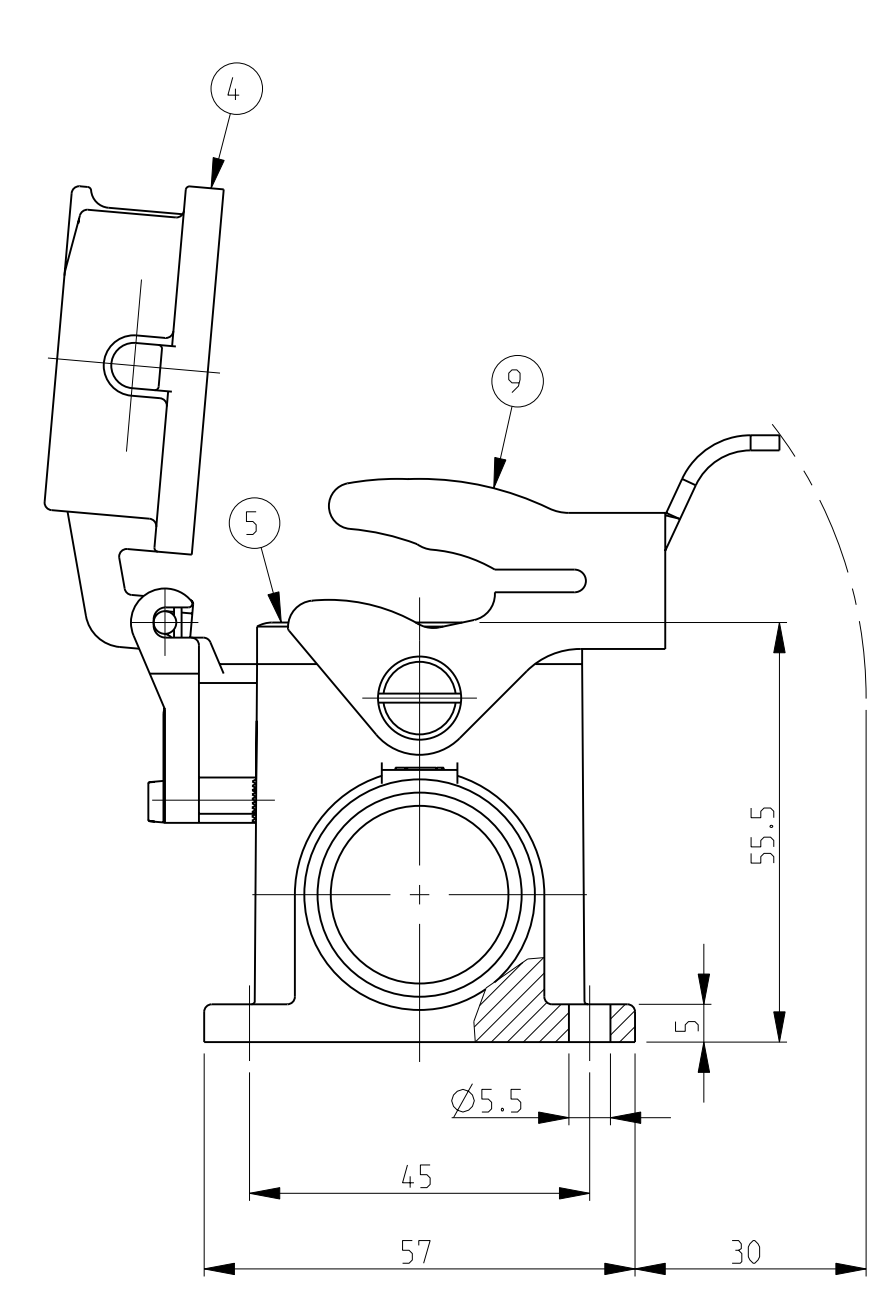
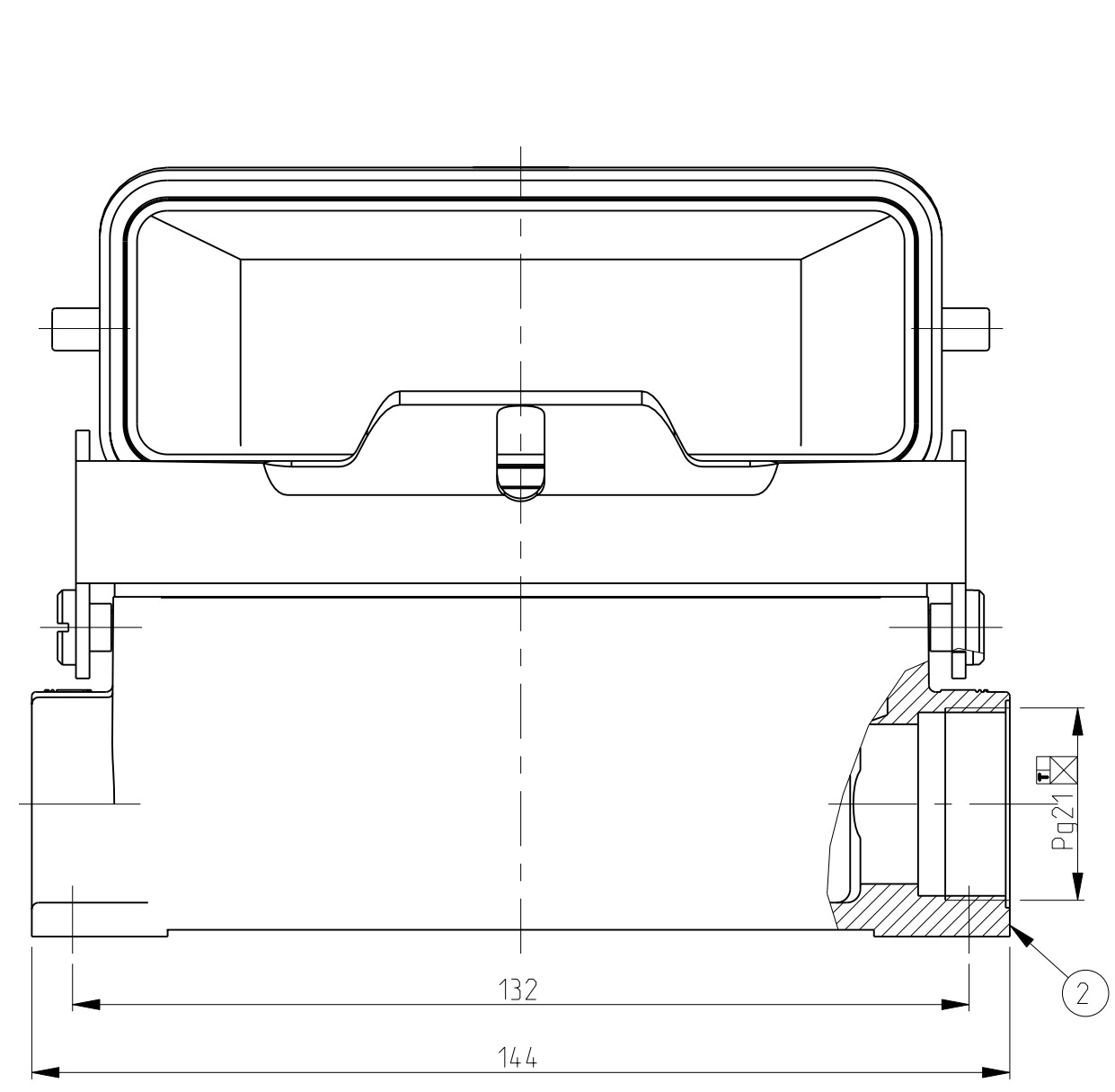
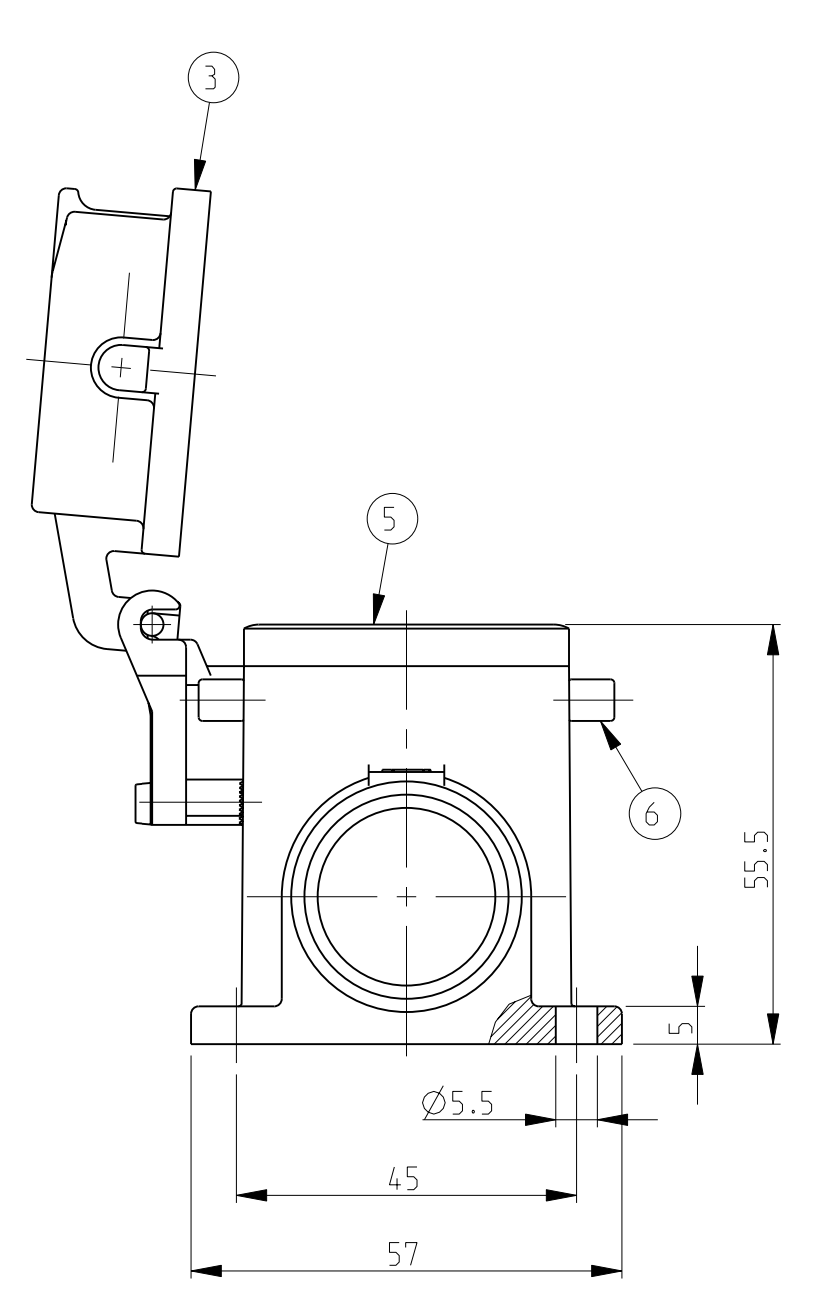
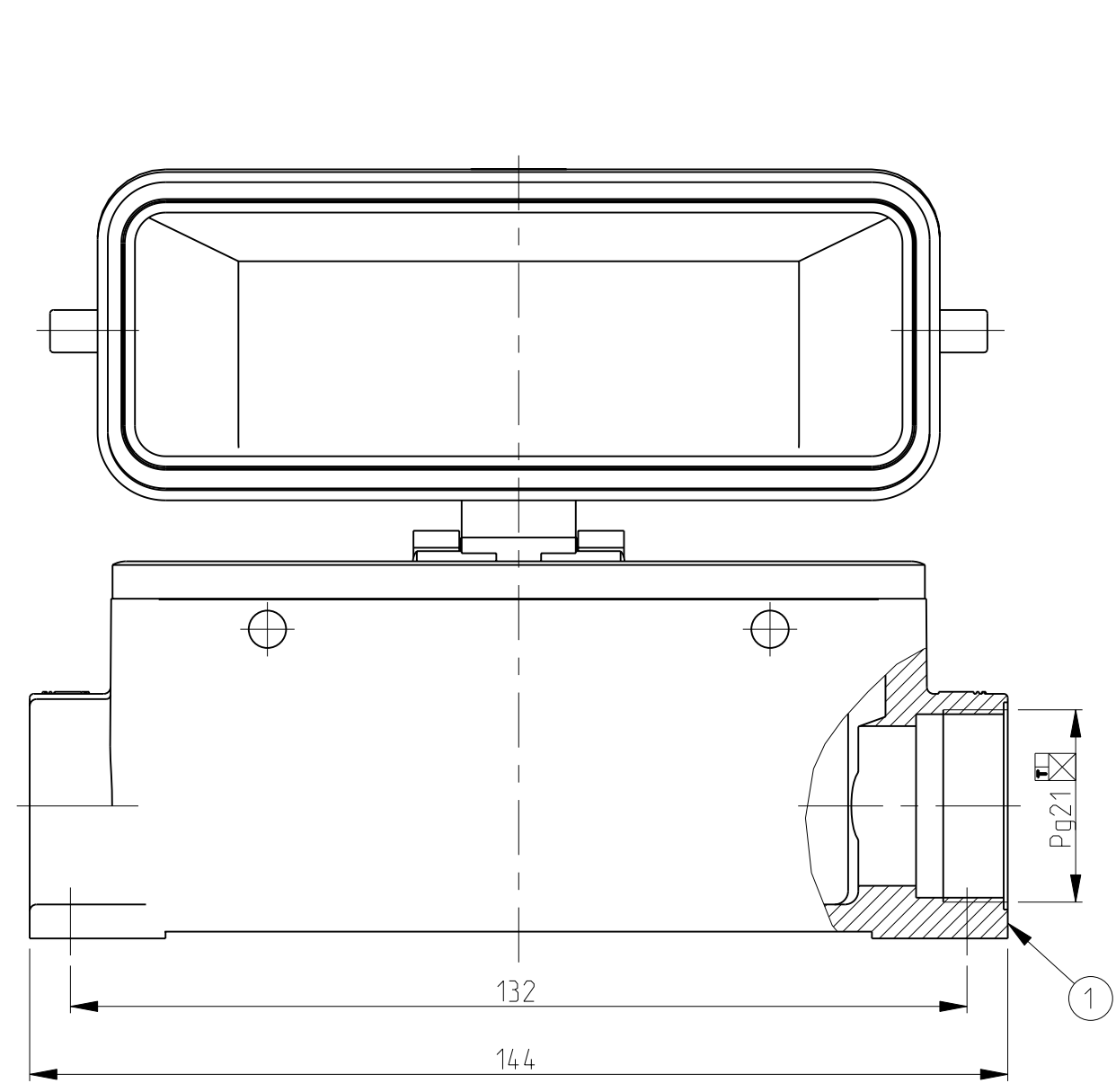
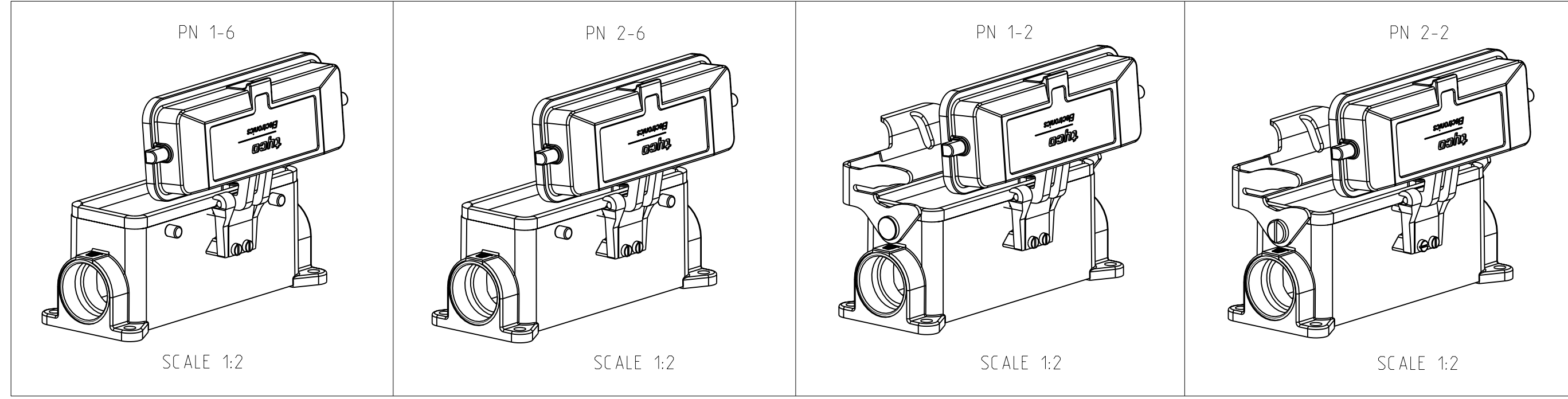


LOC	DIST	REVISIONS			
P	LTR	DESCRIPTION	DATE	DWN	APVD
A1	-	Released as per ECR-08-019772	04.Sep.2008	SP	TS



- NOTES.
- 1 Material:Housing:Aluminium Diecasting Alloy  
Seals:Neoprene
  - 2 Surface:Vannish grey  
-Aluminium Oxide +Vannish Black
  - 3 Varnish on the inside not necessary
  - 4 Packaging  
Quantity 5 Pieces in a box



QTY	ITEM NO	DESCRIPTION	MATERIAL	SURFACE	COLOR	ITEM NO	REMARKS		
1	1	LB-Side Clip	Stainless steel	Blank		9			
	1	LB-Side Clip	Steel	Zinc plated	Blue	8			
	4	VS-Clip bolt	Stainless steel	Blank		7			
	4	VS-Clip bolt	Steel	Zinc plated	Blue	6			
1	1	Profile seal	Neoprene		Black	5			
1	1	Cover finished product HB-K	Aluminium	Aluminium oxide	Black RAL 9005	4			
1	1	Cover finished product HB	Aluminium		Grey RAL 7001	3			
1	1	Surface mounted housing side entry HB-K	Aluminium	Aluminium oxide	Black RAL 9005	2			
1	1	Surface mounted housing side entry HB	Aluminium		Grey RAL 7001	1			
2-2	1-2	2-6	1-6	DESCRIPTION	MATERIAL	SURFACE	COLOR	ITEM NO	REMARKS
ORDERING TEXT									
HB.24.SGD.1.21.Z									
HB-K.24.SGD.1.21.Z									
HB.24.SGD-LB.1.21.Z									
HB-K.24.SGD-LB.1.21.Z									

DIMENSIONS:		TOLERANCES UNLESS OTHERWISE SPECIFIED:		DWN		Schneider		13.05.03		Tyco Electronics		Tyco Electronics,AMP.GmbH	
mm		0.100		CWE		Schweiger		13.05.03		0-53757 Sankt Augustain, Germany			
MATERIAL		FINISH		PRODUCT SPEC		NAME		APPLICATION SPEC		SIZE		RESTRICTED TO	
-		-		-		Surface mounted housing side entry		-		A1 00779 C=1102343		-	
CUSTOMER DRAWING		SCALE		SHEET		OF		REV		A2			
		1:1		1		1		A					